

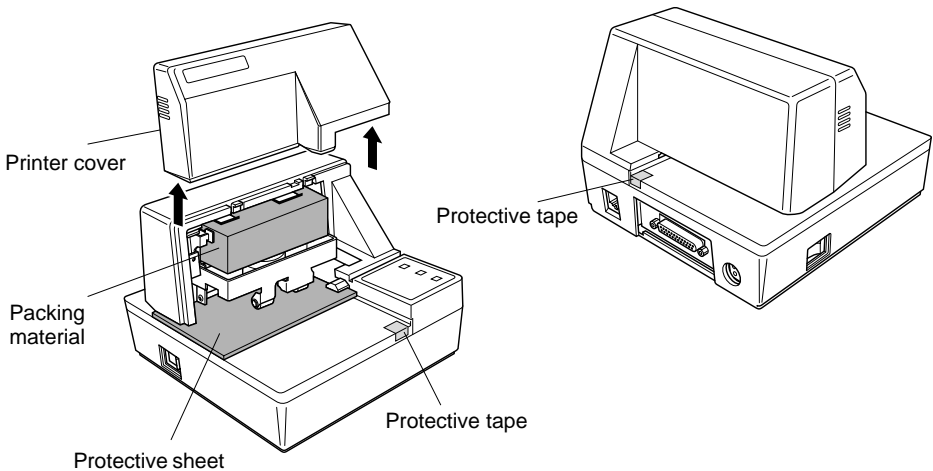
CAUTION

Removing the protective materials

Four protective materials are inserted into the printer to protect components during shipping. Before using the printer, be sure to remove all protective materials as shown in the illustration.

- Remove the two pieces of protective tape.
- Pull the protective sheet straight out toward the front of the printer.
- Push in the side of the printer cover and lift it upward to remove it.
- Remove the packing materials.

Note that it is a good idea to keep all protective materials in case you will need to pack the printer up again and send it somewhere at a later date.



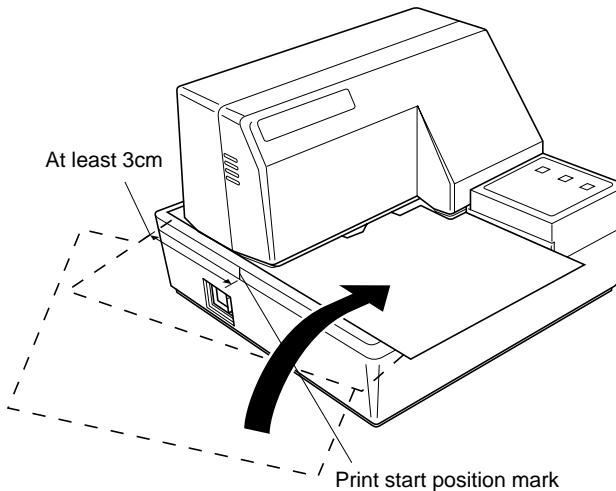
AutoSide Loading™

This printer is equipped with paper sensors, so you do not have to perform any special procedure to align the location from which printing should start. Simply insert the paper into the printer and the sensor locates the top of the paper. The paper will be moved automatically into position for printing.

- Make sure that the printer is plugged in and turned on.
- Check that the **RELEASE** indicator on the control panel is lit. If the indicator is not lit, press the **RELEASE** button until the indicator lights up.
- Place a piece of the paper onto the printer's document table and slide its right edge into the printer. Printing will be performed on the side of the paper that is facing up (the one you can see), starting from the top of the paper.

Important!

- *Do not use wrinkled or curled paper. In case of multiple paper, neatly align the sheets.*
 - *When inserting the paper into the printer, make sure that there are at least 3 cm between the top edge of the paper and the print start position mark on the printer. Otherwise the paper sensor may not be able to correctly locate the top of the paper.*
-



- Push the right edge of the paper into the printer until it stops. At that time, the **PAPER OUT** indicator will go out, and the printer mechanism will automatically align the paper for printing from the top.
- Send data from your host computer to be printed on the paper.